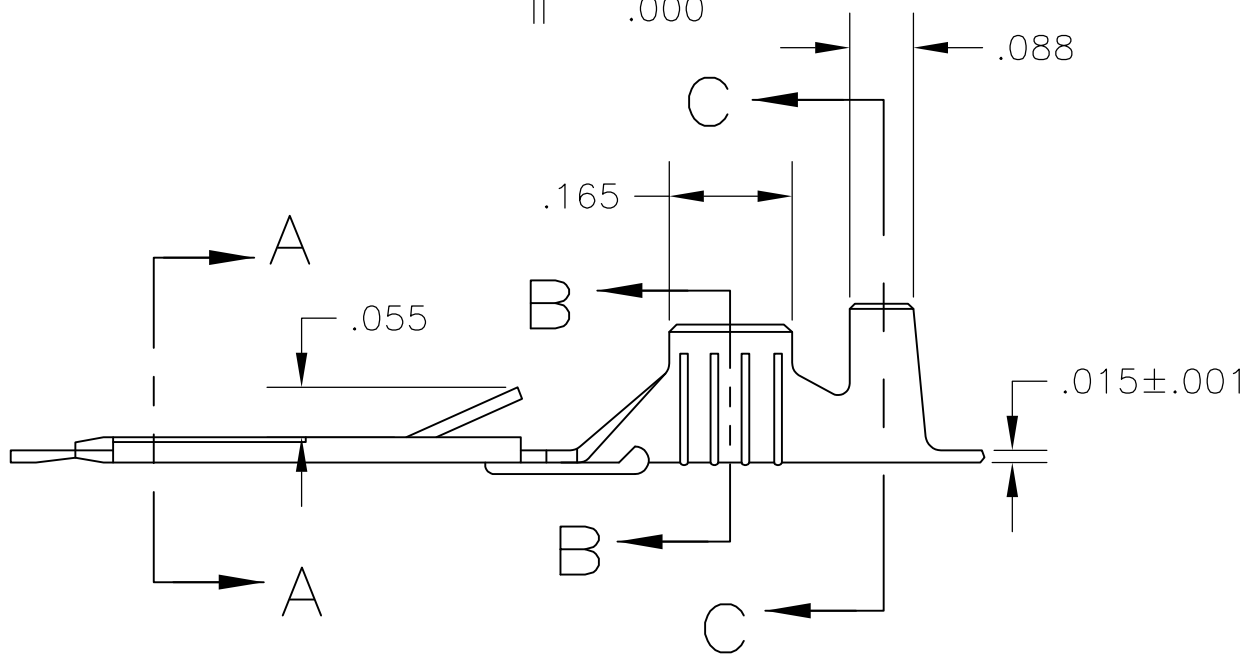
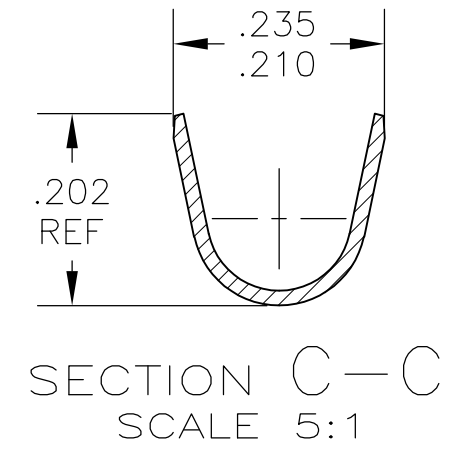
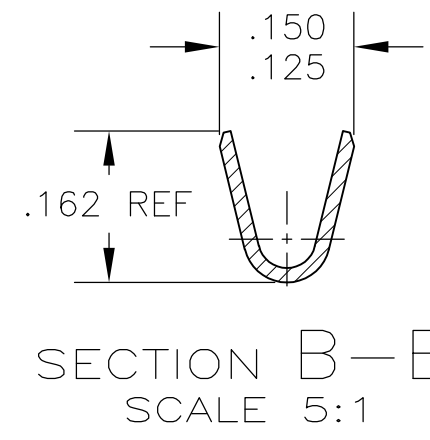
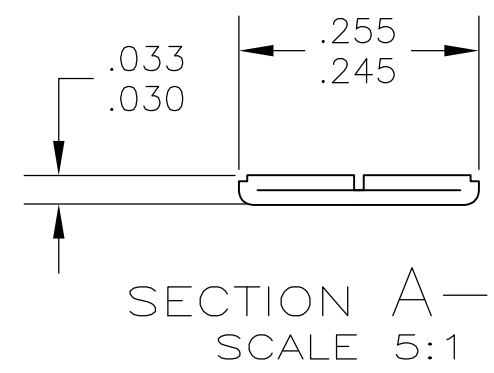
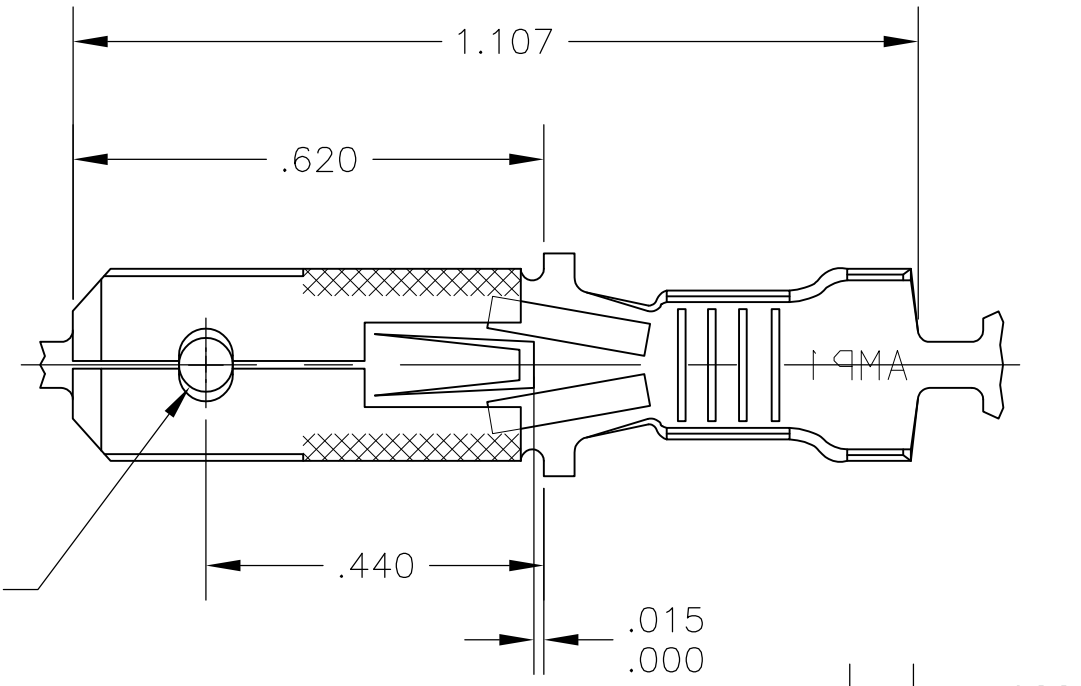


THIS DRAWING IS UNPUBLISHED. RELEASED FOR PUBLICATION
 © COPYRIGHT - By - ALL RIGHTS RESERVED.

LOC	DIST	REVISIONS					
AF	50	P	LTR	DESCRIPTION	DATE	DWN	APVD
			AC	REVISED PER ECR-13-005733	22AUG13	KH	PD

- 1 CONTINUOUS STRIP ON REELS.
- 2 WIRE SIZE IS #18-#14.
- 3 INSULATION RANGE IS .100-.170 DIA.
- 4 FOREIGN PRODUCTION ONLY.
- 5 PREPRODUCTION - FASR REQUIRED.
- 6 PRELIMINARY - NOT FOR PRODUCTION.



	NICKEL	BRASS	6	42460-9
	PRE-TIN	BRASS	4 5	42460-8
OBSOLETE	SILVER .000120 MIN	#2H BRASS		42460-7
	-	#2H PHOS BRZ		42460-6
	PRE-TIN	BRASS		42460-5
OBSOLETE	TIN .000080 MIN	#2H PHOS BRZ		42460-4
	SILVER .000120 MIN			42460-3
	TIN	BRASS		42460-2
	-			42460-1
	FINISH	MATERIAL		PART NO

THIS DRAWING IS A CONTROLLED DOCUMENT.		DWN	JR RUTH	9/17/90	TE Connectivity TAB, FASTIN-FASTON, .250 SERIES		
DIMENSIONS: INCHES		CHK	MS FEHER	9/17/90			
TOLERANCES UNLESS OTHERWISE SPECIFIED:		APVD	R KUZO	9/17/90			
0 PLC ± - 1 PLC ± - 2 PLC ± - 3 PLC ± .015 4 PLC ± - ANGLES ± -		PRODUCT SPEC	-				
MATERIAL	SEE TABLE	FINISH	SEE TABLE	WEIGHT	-	NAME	
		CUSTOMER DRAWING		SIZE	A3	CAGE CODE	00779
				DRAWING NO	C-42460	RESTRICTED TO	-
				SCALE	4:1	SHEET	1 OF 1
				REV	AC		